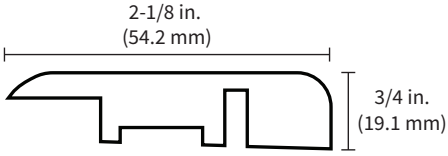
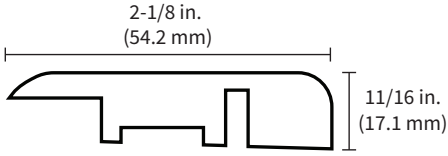
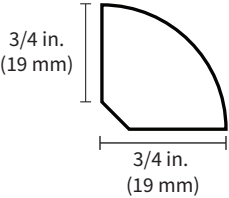
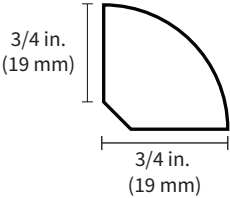
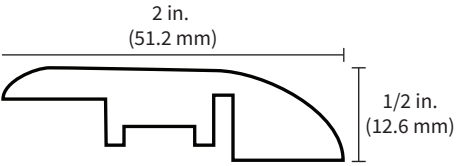
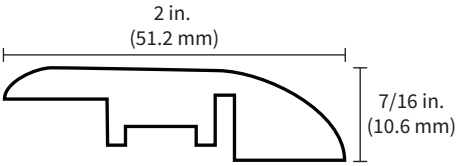
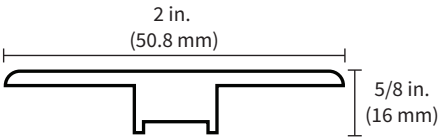
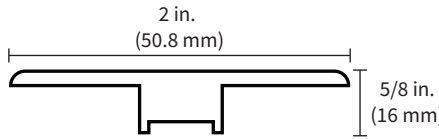
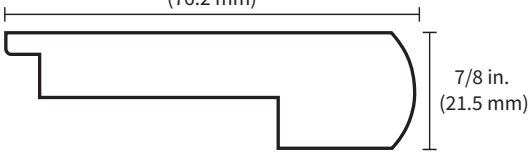
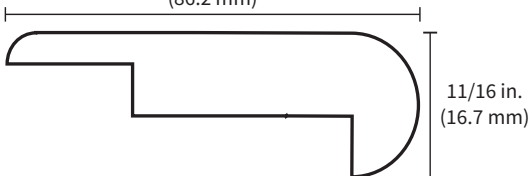


TRIM & TRANSITION DIMENSIONS

COLLECTION Regal	COLLECTION Samara
<p data-bbox="370 348 680 380">Carpet Reducer/End Cap</p>  <p data-bbox="448 415 537 464">2-1/8 in. (54.2 mm)</p> <p data-bbox="678 499 771 548">3/4 in. (19.1 mm)</p>	<p data-bbox="954 348 1265 380">Carpet Reducer/End Cap</p>  <p data-bbox="1032 415 1122 464">2-1/8 in. (54.2 mm)</p> <p data-bbox="1263 499 1356 548">11/16 in. (17.1 mm)</p>
<p data-bbox="431 669 618 701">Quarter Round</p>  <p data-bbox="354 758 430 806">3/4 in. (19 mm)</p> <p data-bbox="477 877 553 926">3/4 in. (19 mm)</p>	<p data-bbox="1013 669 1200 701">Quarter Round</p>  <p data-bbox="951 758 1027 806">3/4 in. (19 mm)</p> <p data-bbox="1075 877 1151 926">3/4 in. (19 mm)</p>
<p data-bbox="391 991 662 1022">Hard Surface Reducer</p>  <p data-bbox="444 1056 537 1104">2 in. (51.2 mm)</p> <p data-bbox="678 1140 771 1188">1/2 in. (12.6 mm)</p>	<p data-bbox="971 991 1242 1022">Hard Surface Reducer</p>  <p data-bbox="1032 1056 1125 1104">2 in. (51.2 mm)</p> <p data-bbox="1263 1140 1356 1188">7/16 in. (10.6 mm)</p>
<p data-bbox="461 1312 589 1344">T-Molding</p>  <p data-bbox="448 1381 540 1430">2 in. (50.8 mm)</p> <p data-bbox="678 1455 771 1503">5/8 in. (16 mm)</p>	<p data-bbox="1040 1312 1169 1344">T-Molding</p>  <p data-bbox="1032 1381 1125 1430">2 in. (50.8 mm)</p> <p data-bbox="1263 1455 1356 1503">5/8 in. (16 mm)</p>
<p data-bbox="423 1633 626 1665">Stair Nose Flush</p>  <p data-bbox="431 1675 524 1724">3 in. (76.2 mm)</p> <p data-bbox="699 1780 792 1829">7/8 in. (21.5 mm)</p>	<p data-bbox="987 1633 1222 1665">Stair Nose Overlap</p>  <p data-bbox="1016 1675 1109 1724">3-3/8 in. (86.2 mm)</p> <p data-bbox="1287 1791 1380 1839">11/16 in. (16.7 mm)</p>

Note: All figures are nominal. There may be slight minimal variation from the printed measurements.